

NEW STAR

P012



PROMO
1880€ HT
Franco

Smart size

Width*Length*Height
560 *1540*1170mm
A 20 feet container standard
machine can fit 144 units.
Low transportation costs.

Nimble

Turning Radius
1350mm

Lite

Weight
(include battery)
120kg



High Quality Lithium Battery



24v

20Ah

2.5-3
Hours
Charging
Time

1'S EASY
CHANGE



- Easy change
- Portable
- Spare battery available



Based On
The Design of
The Hand Pallet Truck



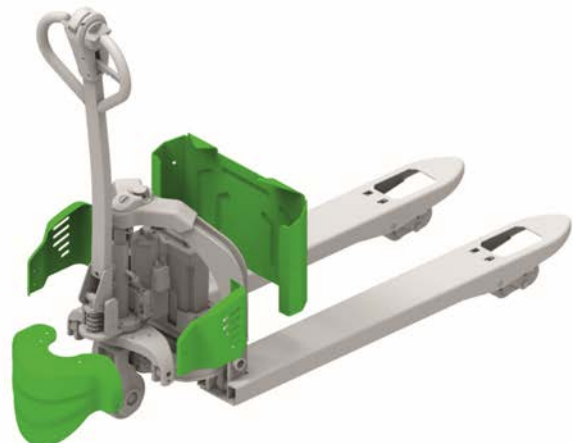
Simple
Reliable
Structure



Easy
Maintenance



Cost
Savings



Electric Pallet 1.2t

P012

Distinguishing mark				
1.1	Manufacturer			EP
1.2	Model designation			P012
1.3	Drive unit			Electrical
1.4	Operator type			pedestrian
1.5	rated capacity	Q	kg	1200
1.6	Load center distance	c	mm	600
1.8	Load distance	x	mm	1020/950
1.9	Wheelbase	y	mm	1260/1190
Weight				
2.1	Service weight (include battery)		kg	120
2.2	Axle loading, laden driving side/loading side		kg	410/910
2.3	Axle loading, unladen driving side/loading side		kg	100/20
Types,Chassis				
3.1	Tyre type driving wheels/loading wheels			PU/PU
3.2	Tyre size, driving wheels (diameter×width)		mm	Φ130x55 (Φ210x70option)
3.3	Tyre size, loading wheels (diameter×width)		mm	2x Φ80x60 (Φ74x88)
3.4	Tyre size, caster wheels (diameter×width)		mm	/
3.5	Wheels, number driving, caster/loading (x=drive wheels)		mm	1x/4 (1x/2)
3.6	Track width, front,driving side	b ₁₀	mm	/
3.7	Track width,rear,loading side	b ₁₁	mm	410 (535)
Dimensions				
4.4	Lift height	h ₃	mm	115
4.9	Height drawbar in driving position min./max.	h ₁₄	mm	750/1170
4.15	Lowered height	h ₁₃	mm	80
4.19	Overall length	l ₁	mm	1610/1540
4.20	Length to face of forks	l ₂	mm	390
4.21	Overall width	b ₁ / b ₂	mm	560 (685)
4.22	Fork dimensions	s/ e/ l	mm	53/150/1150(1220)
4.25	Distance between fork-arms	b ₅	mm	560 (685)
4.32	Ground clearance, center of wheelbase	m ₂	mm	27
4.34.1	Aisle width for pallets 1000 × 1200 crossways	Ast	mm	1739
4.34.2	Aisle width for pallets 800 × 1200 lengthways	Ast	mm	1939
4.35	Turning radius	Wa	mm	1350
Performance data				
5.1	Travel speed, laden/ unladen	km/ h	km/h	4/4.5
5.2	Lifting speed, laden/ unladen		m/ s	0.02/0.03
5.3	Lowering speed, laden/ unladen		m/ s	0.05/0.03
5.8	Max. gradeability, laden/unladen			4
5.10	Service brake type			Electromagnetic
Electric-engine				
6.1	Drive motor rating S2 60 min		kW	0.45 (0.65option)
6.2	Lift motor rating at S3 15%		kW	0.5
6.3	The maximum allowed size battery		mm	170*85*215
6.4	Battery voltage/nominal capacity K20			24/20
6.5	Battery weight		kg	3x1
Addition data				
8.1	Type of drive control			DC
10.5	Steering type			Mechanical
10.7	Sound pressure level at the driver's ear			74

